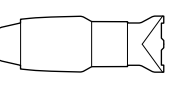
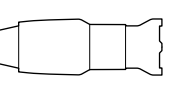
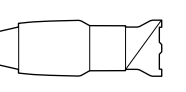
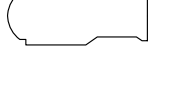
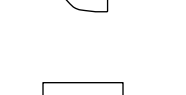


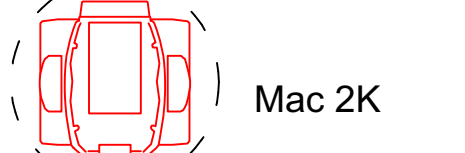




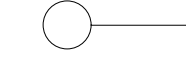


INSTRUMENT LEGEND

Instruments

-  Source 4 50deg
-  Source 4 36deg
-  Source 4 26deg
-  Alt 3600 6x9
-  Source 4 Par MFL
-  Par 64
-  Chauvet Rogue 2
-  Mac 2K

TYPICAL

-  Color
-  Unit Number
-  Channel Number

NOTES

SHOW SPECIFIC NOTES:
 ALL 8" FRESNELS NEED TO BE HUNG ON A 90° ANGLE WITH RESULTING INSTRUMENT ORIENTATION MATCHING SYMBOL ORIENTATION.
 INSTRUMENTS ON TECH LEDGE STALLS NEED TO BE TOP HUNG.

GENERAL NOTES:
 ON ALL GROUND PLAN PLATES, LOWER LEVELS OF STACKING POSITIONS HAVE BEEN EXPLODED FOR CLARITY.
 ALL UNITS ARE TO BE PLACED AT A RELATIVE DISTANCE TO THEIR PLACEMENT IN THE ROOM ON PLOT.
 COLOR, TEMPLATE, AND CIRCUITING INFORMATION CAN BE FOUND IN LIGHTWRIGHT MATERIALS.

GRID LEVEL NOTES:
 ALL BAY SPAN PIPES NEED TO BE CHEESEBURROUGHD FROM THE LOWER PIPE.
 ALL 8" FRESNELS NEED TO BE HUNG ON A 90° ANGLE WITH RESULTING INSTRUMENT ORIENTATION MATCHING SYMBOL ORIENTATION.
 ON THE GRID LEVEL THERE IS AN ARTIFICIAL WORKING CEILING OVER WALKWAYS AT 8'8" ABOVE THE FLOOR HEIGHT.
 THE GRID LEVEL HAS AN OVERALL PERIMETER OF 39'-11" X 39'-11". EACH GRID LEVEL "BAY" IS 9'-8" X 9'-8".
 THE TOP RING OF BAYS ARE AT A TRIM OF 25'-9" FROM DECK PROPER.
 THE BOTTOM RING OF BAYS ARE AT A TRIM OF 24'-9" FROM DECK PROPER.
 THE GRID FLOOR IS AT A TRIM OF 22'-0" FROM DECK PROPER.

UNDER GRID ("UNDER CAT") NOTES:
 ANY UNDER CAT POSITIONS IN NEED OF INSTRUMENTS SHOULD BE HUNG WITH A LIFT PRIOR TO THE INSTALLATION OF SEATING OR ANY IMPEDING SCENARIO.
 "MEET WITH THE TECHNICAL DIRECTOR AND MASTER ELECTRICIAN FOR PROPER PLANNING."
 THE UNDER CAT POSITIONS ARE AT A TRIM OF 20" FROM DECK PROPER.
 THE UNDER CAT POSITIONS HAVE BREAKS IN THE COMPLETE RUN. *MASTER ELECTRICIAN IS TO NOTE THIS DURING HANG AND, IF NEEDED, MAKE ADJUSTMENTS ACCORDINGLY.

TECH LEVEL NOTES:
 INSTRUMENTS ON TECH LEDGE STALLS NEED TO BE TOP HUNG.
 THE TECH LEDGE LEVEL HAS IMPEDING ARCHITECTURE AND DUCTWORK TO TAKE NOTE OF.
 INSTRUMENTS APPROX. 1'-0" AWAY FROM CENTER OF POSITIONS' EXCEPT ON THE EAST TECH LEDGE.
 INSTRUMENT ON EAST TECH LEDGE IS APPROX. 4'-0" OUT FROM TECH LEDGE POSITIONS (THERE ARE STILL OTHER HANGING OPTIONS AVAILABLE USING THE "C-CLAMP DOWN" METHOD).
 TECH LEDGE BEAM DEPTH IS 1'-7".
 ALL TECH LEDGE POSITIONS ARE REMOVABLE WITH PROPER AUTHORIZATION FROM TECHNICAL DIRECTOR AND MASTER ELECTRICIAN.
 TECH LEDGE WALKWAY HAS A WALKING CLEARANCE OF 7'-7" ON ALL SIDES.

DECK LEVEL NOTES:
 CLEARANCE FROM THE BOTTOM OF THE TECH LEDGE TO DECK PROPER IS 9'-0".
 ALL UNDER TECH POSITIONS HAVE A 4'-6" GAP AT THE ROOM'S CENTER.

REVISIONS

DATE	RESPONSIBLE PARTY

JESUS CHRIST SUPERSTAR

JESUS CHRIST SUPERSTAR
 FLORIDA PLAYERS
 NADINE M. MCGUIRE BLACK BOX

DIRECTED BY: JEFF DRUSHAL
 LIGHTING DESIGN: JOSEPH HODGE
 ASSOCIATE I.D.: AMBER SMITH
 STAGE MANAGEMENT: MATT FAUX
 SCENIC FACILITATION: WIL VANE
 PROPRIETY FACILITATION: STEPHANIE WATSON
 COSTUMES FACILITATION: AMANDA MOORE
 SOUND FACILITATION: HILARY CHERN

DRAFTED BY: AMBER SMITH
 APRIL 14, 2018
 PLATE:
 of 1